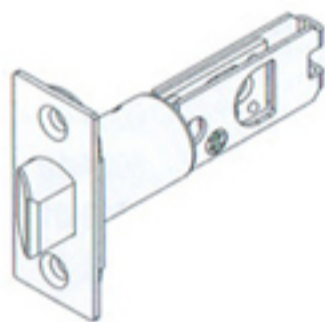
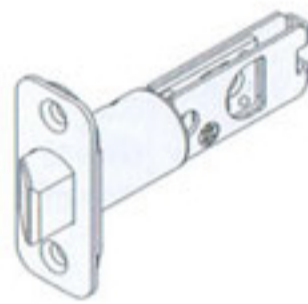


## Latch Type

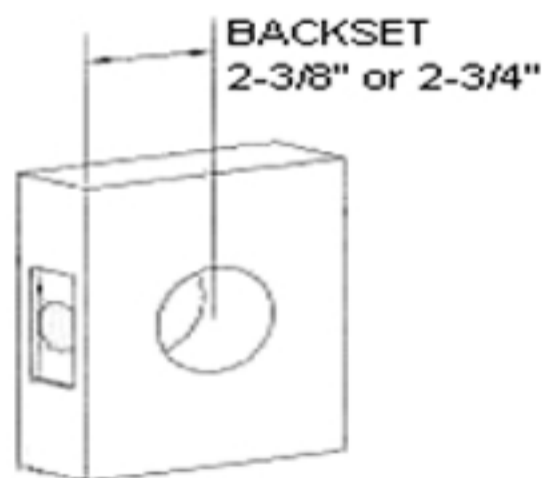
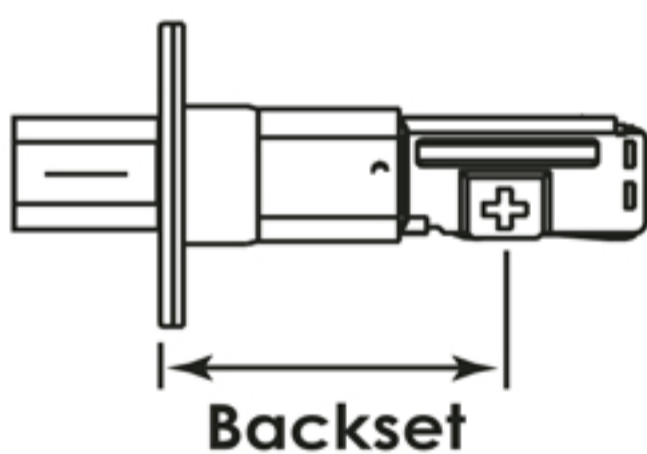
Square Corners



1/4" Radius Corners



## Backset



## Confirm Handing

HANDING OF DOOR IS ALWAYS DETERMINED FROM THE OUTSIDE

