

4

3

2

1

D

D

C

C

B

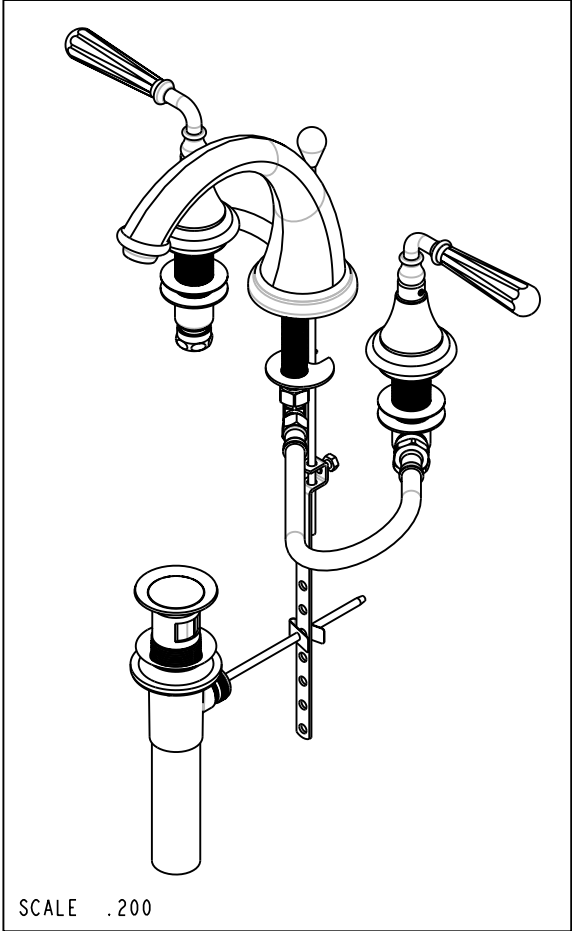
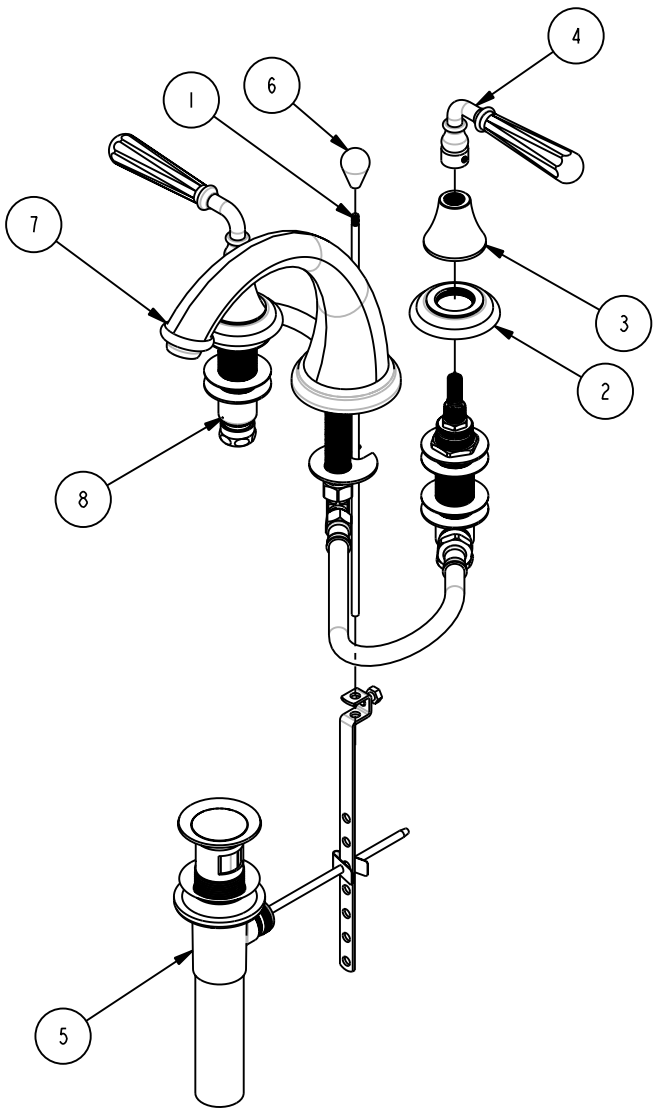
B

A

A

BILL OF MATERIAL (CURRENT LEVEL)

ITEM	PT/ASSY	DESCRIPTION	TYPE	QTY.
1	10288	3/16" POP UP ROD	PART	1
2	10048	ESCUTCHEON W/S VALVE	PART	2
3	10095	ESCUTCHEON, 900 SERIES	PART	2
4	2-470	LEVER HANDLE ASM W/8 FLATS	ASSEMBLY	2
5	325	POP UP ASSEMBLY	ASSEMBLY	1
6	11181	POP-UP KNOB	PART	1
7	3-177	SPOUT, WIDESPREAD	ASSEMBLY	1
8	1-525	W/S VALVE INSTALLATION	ASSEMBLY	1



COPYRIGHT 2003 BRASSTECH, INC. THESE DRAWINGS AND THE DESIGNS DEPICTED HEREIN ARE THE PROPRIETARY PROPERTY OF BRASSTECH. ANY USE OR REPRODUCTION IS SUBJECT TO THE EXPRESS APPROVAL OF BRASSTECH. UNAUTHORIZED USE IS STRICTLY PROHIBITED. ALL RIGHTS RESERVED.

BRASSTECH
 INCORPORATED
 2001 E. CARNEGIE AVE.
 SANTA ANA, CA 92705
 (949) 417-5207

TOP ASSY, FAUCET, WIDESPREAD

ASSY. NO. 1740				EO-0390	07/16/04
SCALE .200	REF. -	SHEET 1 OF 2	REV	REV DESC	DATE

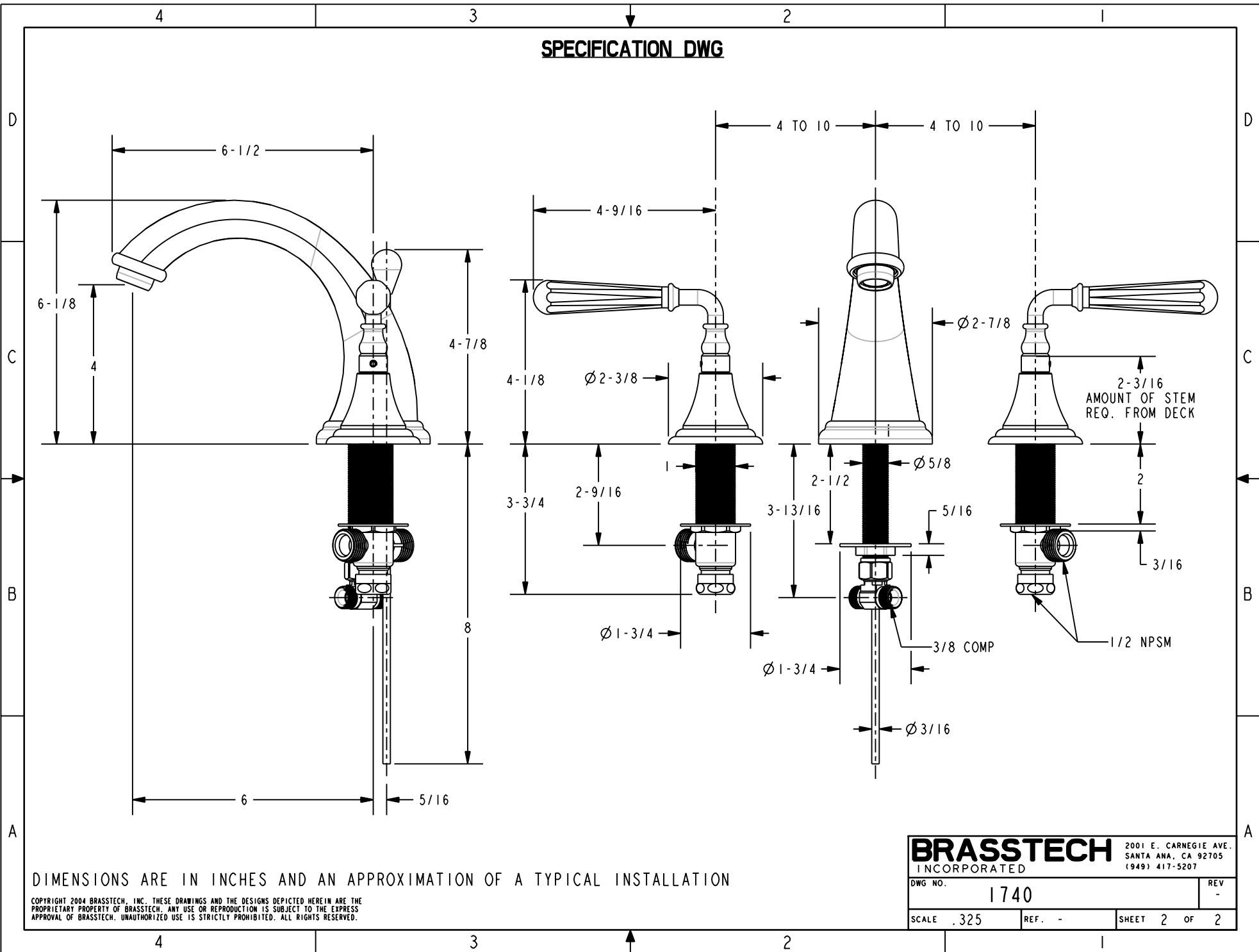
4

3

2

1

SPECIFICATION DWG



DIMENSIONS ARE IN INCHES AND AN APPROXIMATION OF A TYPICAL INSTALLATION

COPYRIGHT 2004 BRASSTECH, INC. THESE DRAWINGS AND THE DESIGNS DEPICTED HEREIN ARE THE PROPRIETARY PROPERTY OF BRASSTECH. ANY USE OR REPRODUCTION IS SUBJECT TO THE EXPRESS APPROVAL OF BRASSTECH. UNAUTHORIZED USE IS STRICTLY PROHIBITED. ALL RIGHTS RESERVED.

BRASSTECH		2001 E. CARNEGIE AVE.	
INCORPORATED		SANTA ANA, CA 92705	
DWG NO. 1740		REV -	
SCALE .325	REF. -	SHEET 2 OF 2	