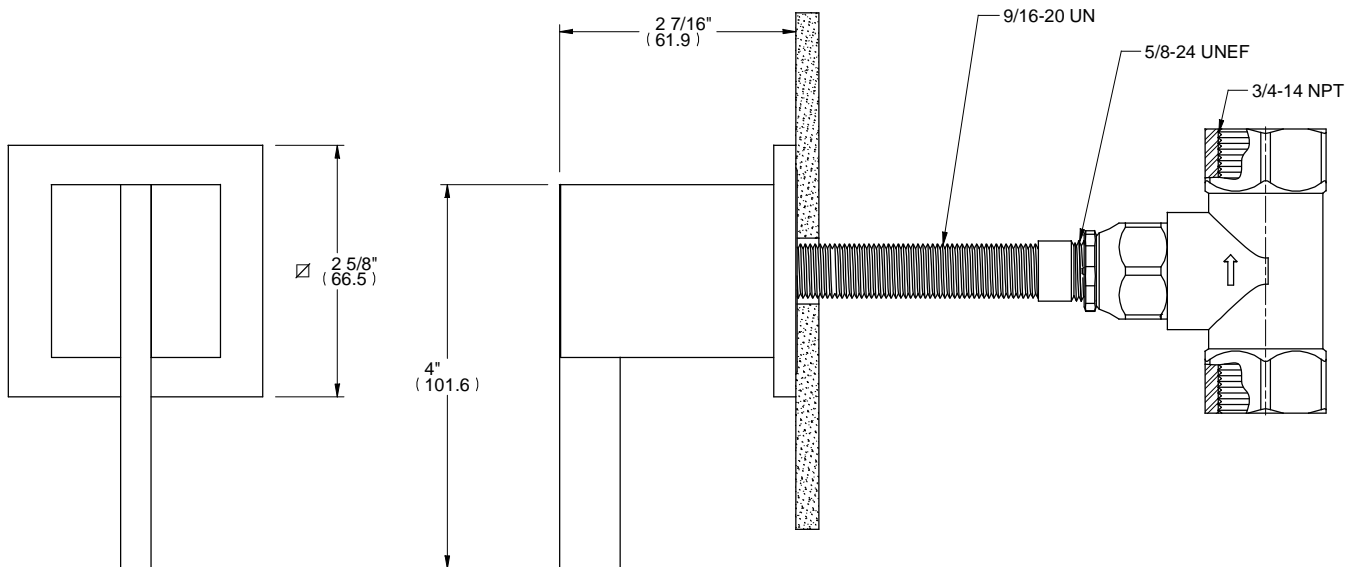


L1



ALTMANS RESERVES THE RIGHT TO MODIFY AND CHANGE SPECIFICATIONS AT ANY TIME. PLEASE VERIFY DIMENSIONS PRIOR TO INSTALLATION.

Features
 Available in All Finishes
 All Brass Construction
 1/4 Turn Ceramic Disc Cartridge

Through-Hole Specifications
 $\varnothing 1 \frac{3}{4}''$ Max.

DIMENSIONS SHOWN TO NEAREST 1/16"