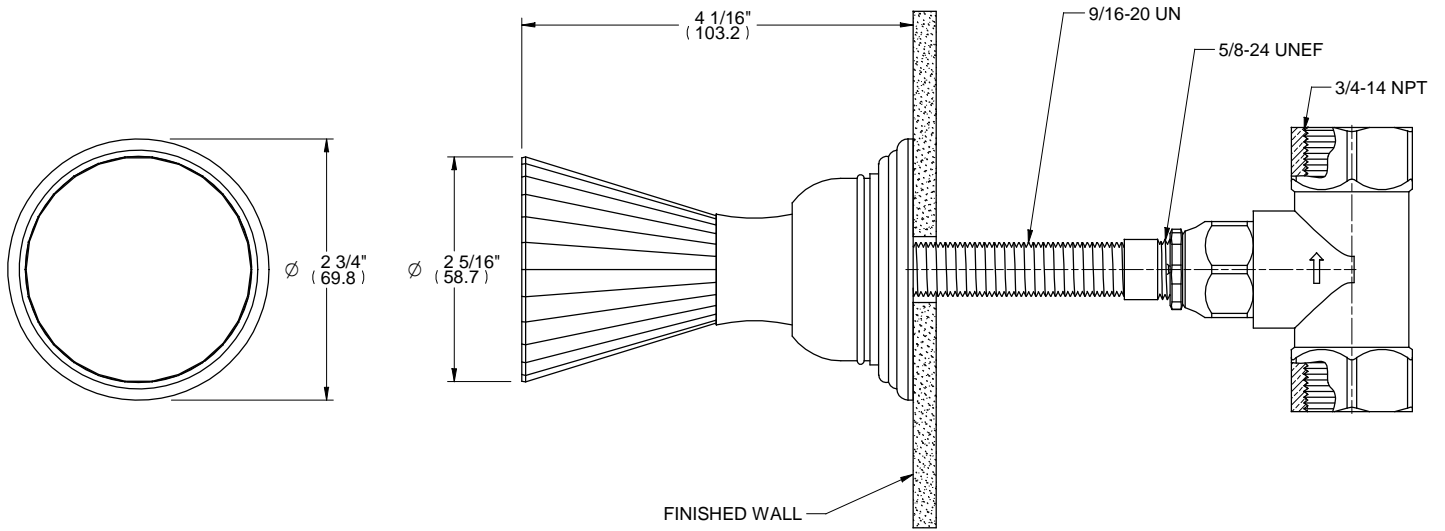


L1



ALTMANS RESERVES THE RIGHT TO MODIFY AND CHANGE SPECIFICATIONS AT ANY TIME. PLEASE VERIFY DIMENSIONS PRIOR TO INSTALLATION.

**Features**

- Available in All Finishes
- All Brass Construction
- 1/4 Turn Ceramic Disc Cartridge

**Through-Hole Specifications**

$\varnothing 1 \frac{3}{4}"$  Max.

DIMENSIONS SHOWN TO NEAREST 1/16"