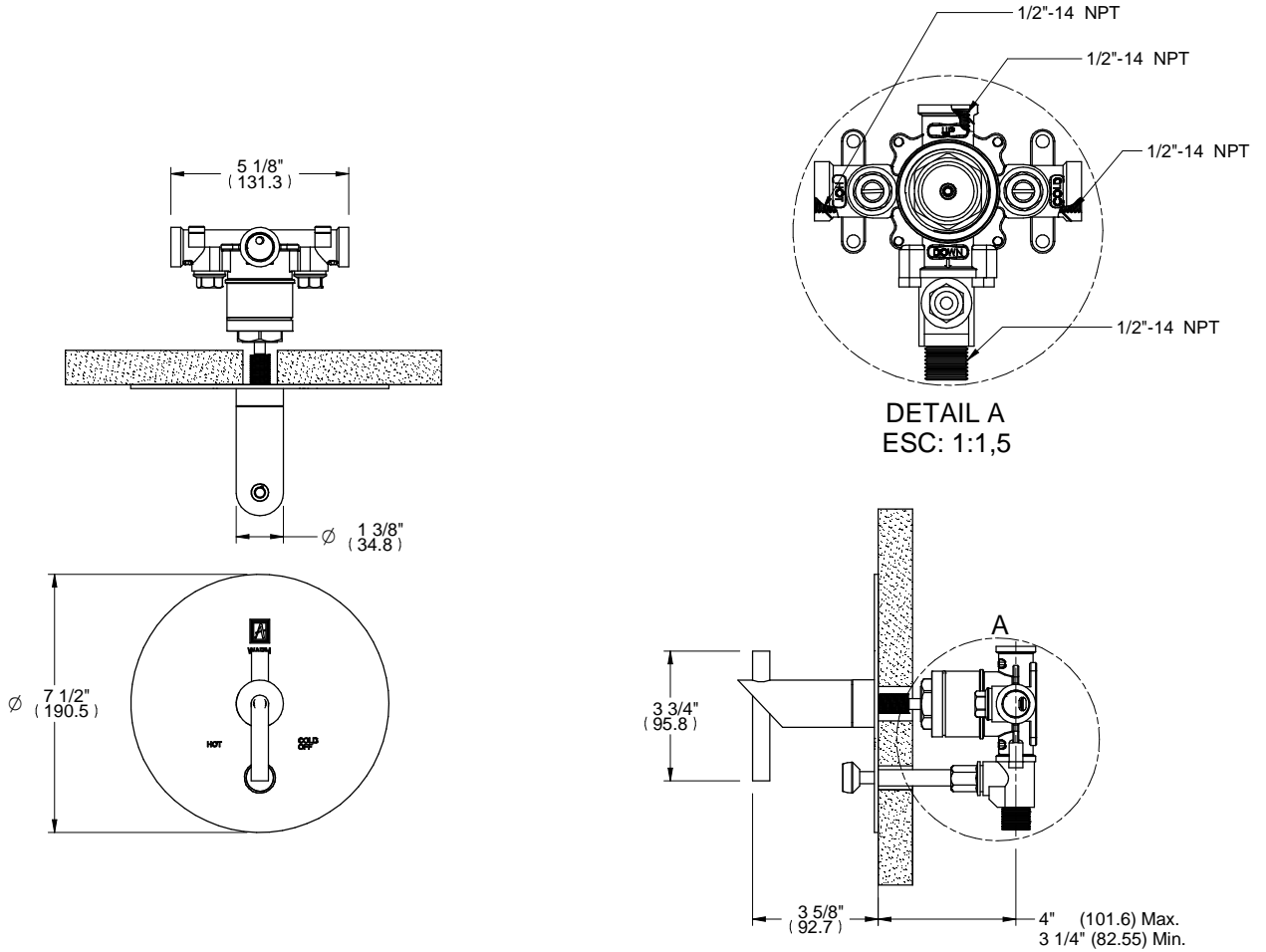




L1



ALTMANS RESERVES THE RIGHT TO MODIFY AND CHANGE SPECIFICATIONS AT ANY TIME. PLEASE VERIFY DIMENSIONS PRIOR TO INSTALLATION.

## Features

- Available in All Finishes
- Solid Brass Construction
- Rough & Trim Included
- 5,8 GPM a 50 PSI

DIMENSIONS SHOWN TO NEAREST 1/16"