

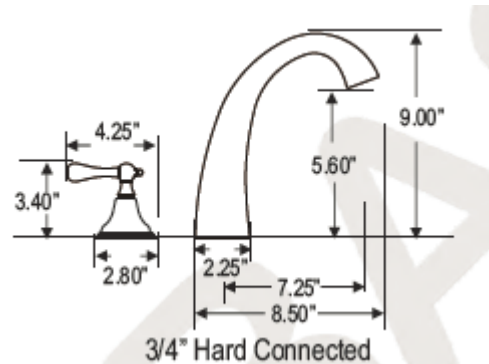


NSF/ANSI 61

ASME A112.18.1/CSA B125.1-11  
B125.1-11

### Codes and Standards

- NSF/ANSI 61
- ASME A112.18.1/CSA B125.1-11
- IAPMO US AND CANADA
- ADA



ALTMANS RESERVES THE RIGHT TO MODIFY AND CHANGE SPECIFICATIONS AT ANY TIME. PLEASE VERIFY DIMENSIONS PRIOR TO INSTALLATION

### Color/Finishes

- Polished Chrome, PVD Satin Nickel
- Refer to pricelist for other finishes.

### Features and Benefits

- Brass Construction
- Flexible Connections
- 1/4 Turn Ceramic Disc Cartridges
- Includes valve OD15
- Available in All Altmans Finishes

### Through-Hole Specifications

Spout:  $\varnothing$  1 1/2" Max.

Valve:  $\varnothing$  1 1/2" Max.