



ELEGANCE

Wall mount Lavatory Set with 8" Spout

EL14

Handles/Escutcheon: L5E11



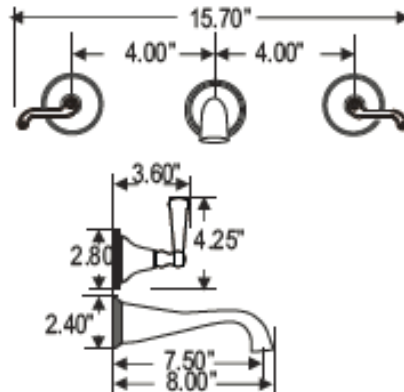
NSF/ANSI 61

ASME A112.18.1/CSA

B125. 1-11

Codes and Standards

- NSF/ANSI 61
- ASME A112.18.1/CSA B125. 1-11
- IAPMO US AND CANADA
- ADA



ALTMANS RESERVES THE RIGHT TO
MODIFY AND CHANGE SPECIFICATIONS
AT ANY TIME. PLEASE VERIFY DIMEN-
SIONS PRIOR TO INSTALLATION

Color/Finishes

- Polished Chrome, PVD Satin Nickel
- Refer to pricelist for other finishes.

Features and Benefits

- Brass Construction
- Flexible Connections
- 1/4 Turn Ceramic Disc Cartridges
- Includes 1/4" No overflow grid Drain
- Includes valve OWL8

1201 W. Francisco St. • Torrance, CA • 90502

800-678-6463 • 310-559-4093 • Fax: 310-559-4094 • www.altmansproducts.com