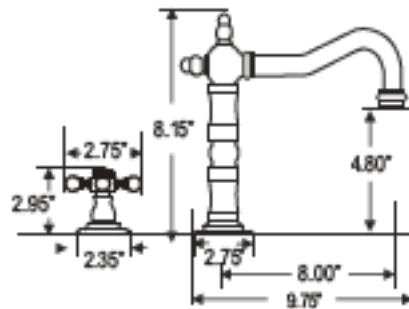


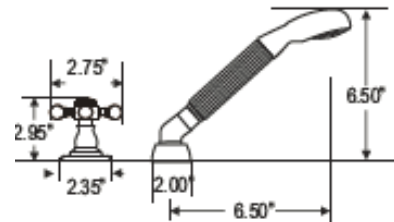
ASME A112.18.1/CSA  
B125.1-11

## Codes and Standards

- ASME A112.18.1/CSA B125.1-11
- IAPMO US AND CANADA



3/4" Hard Connected



3/4" Hard Connected

ALTMANS RESERVES THE RIGHT TO  
MODIFY AND CHANGE SPECIFICATIONS  
AT ANY TIME. PLEASE VERIFY DIMEN-  
SIONS PRIOR TO INSTALLATION

## Color/Finishes

- Polished Chrome, PVD Satin Nickel
- Refer to pricelist for other finishes.

## Features and Benefits

- Brass Construction
- Flexible Connections
- 1/4 Turn Ceramic Disc Cartridges
- Includes valve OD15

## Through-Hole Specifications

Spout:  $\varnothing$  1 1/2" Max.  
Valve:  $\varnothing$  1 1/2" Max.