

### FEATURED MODEL

510-881R 6" & 8" bowl depths

### ADDITIONAL MODELS

- 510-881 Left side large bowl, 8" & 6" bowl depths
- 510-880 Left side large bowl, 10" & 6" bowl depths
- 510-880R Right side large bowl, 6" & 10" bowl depths
- 514-474 Left side large bowl, 9" & 6" bowl depths
- 514-475 Right side large bowl, 6" & 9" bowl depths

### FEATURES

- 18 gauge, 304 series stainless steel
- 18/10 chrome/nickel content
- Long-lasting, easy-to-clean, satin polished finish
- Rear drain placement

### CODE/STANDARDS COMPLIANCE

ASME 112.19.3-00  
 IAPMO/UPC listed

### OPTIONAL ACCESSORIES

- Sink Grid: 220-992 (Formerly 510-900)
- Colanders: 215-651, 510-889,  
221-025 (Formerly 508-801)

### WARRANTY

Blanco America's Platinum Series sinks feature a "NO HASSLE" LIMITED LIFETIME WARRANTY to be free of all manufacturing defects under normal use. See our complete warranty for details.

While Blanco America endeavors to provide accurate information, all dimensions are nominal, cannot be guaranteed, and are subject to change or cancellation. Blanco America assumes no responsibility for use of superseded or voided specifications.

### PRODUCT SPECIFICATION

Reverse bowl undermount sink to be 1-1/2 bowl design, 32-3/32" in length and 20-7/8" in front-to-back depth. Sink to be made from 18 gauge, 304 series stainless steel, with 18/10 chrome/nickel content and satin polished finish. Sink to feature rear drain placement. Sink to be Blanco Model 510-881R, with large bowl depth of 8" and small bowl depth of 6".

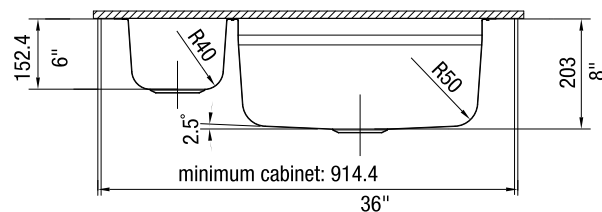
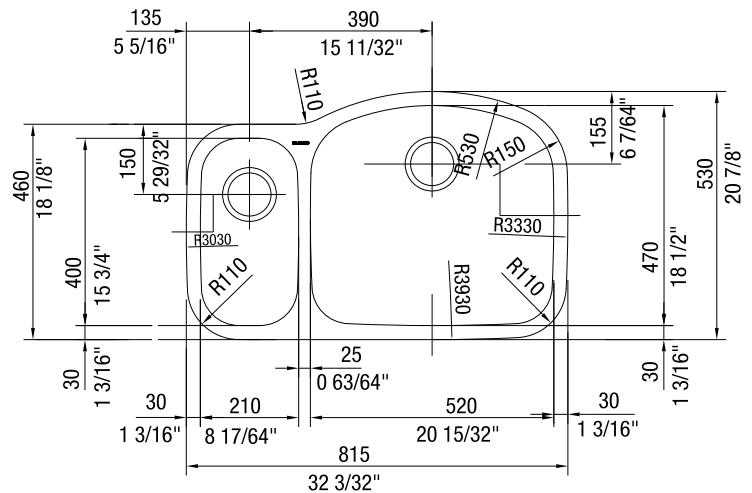


MODEL 510-881R

### NOMINAL DIMENSIONS

MODEL	OVERALL	CUTOUT SIZE	BOWL DEPTH LEFT	BOWL DEPTH RIGHT	DRAIN DIAMETER
510-881R	32-3/32 x 20-7/8	Template provided with approximate 1/8" reveal	6	8	3-1/2

DXF cutout templates available on our web site.



### JOB INFORMATION

Job Name: \_\_\_\_\_  
 Contact: \_\_\_\_\_  
 Date Specified: \_\_\_\_\_  
 Specifier: \_\_\_\_\_  
 Contractor: \_\_\_\_\_