

FEATURED MODEL

515-556 Café Brown, 10" and 7-3/4" bowl depths

ADDITIONAL MODELS

515-552 Metallic Gray, 10" and 7-3/4" bowl depths

515-553 White, 10" and 7-3/4" bowl depths

515-554 Biscuit, 10" and 7-3/4" bowl depths

515-555 Anthracite, 10" and 7-3/4" bowl depths

FEATURES

- 80% rock hard granite
- Super single sink with functional utility bowl
- Color all the way through
- Low divide for ease of clean-up
- Self-draining feature with invisible drain channels
- Highly resistant to scratching, staining and all household acids and alkali solutions
- Non-porous, easy-to-clean
- Heat resistant to 536° F
- Extremely hygienic, does not absorb odors or bacteria

CODE/STANDARDS COMPLIANCE

ANSI Z124.6-97
IAPMO/UPC listed

INCLUDED ACCESSORY

Stainless Steel Mesh Colander

OPTIONAL ACCESSORIES

Sink Grid: 222-472 (Large Bowl)
Cutting Board: 222-591

WARRANTY

Blanco America's SILGRANIT® Series sinks feature a LIMITED LIFETIME WARRANTY to be free of all manufacturing defects under normal use. See our complete warranty for details.

While Blanco America endeavors to provide accurate information, all dimensions are nominal, cannot be guaranteed, and are subject to change or cancellation. Blanco America assumes no responsibility for use of superseded or voided specifications.

PRODUCT SPECIFICATION

Undermount sink to be single bowl design with functional raised ledge, 32" in length and 19-1/2" in front-to-back depth. Sink to be made from Silgranit® hard composite material. Sink to feature rear drain placement with bowl depth of 10" and raised ledge depth of 7-3/4". Sink to be Blanco (Check one):

- Model 515-552 Model 515-553
 Model 515-554 Model 515-555
 Model 515-556

- Metallic Gray 515-552 White 515-553
 Biscuit 515-554 Anthracite 515-555
 Café Brown 515-556

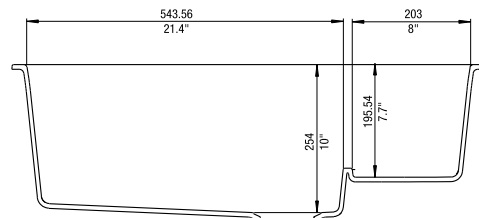
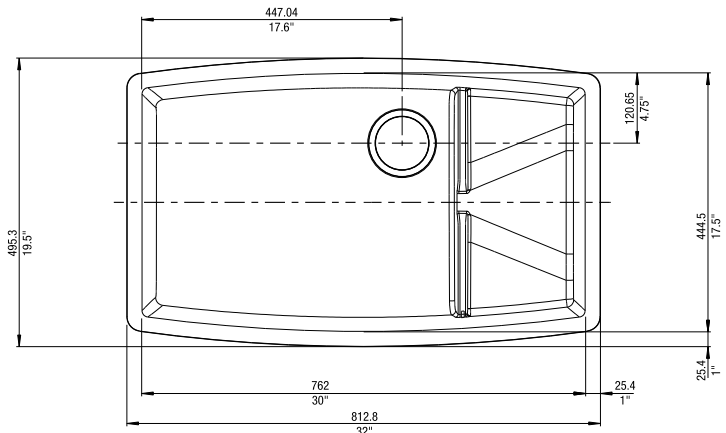


MODEL 515-556

NOMINAL DIMENSIONS

OVERALL	CUTOUT SIZE	BOWL DEPTH		DRAIN DIAMETER
		LEFT	RIGHT	
32 x 19-1/2	Template provided with approximate 1/8" reveal	10	7-3/4	3-1/2

DXF cutout templates available on our web site.



JOB INFORMATION

Job Name: _____

Contact: _____

Date Specified: _____

Specifier: _____

Contractor: _____