

Wall Supply EURO-URBAN Toilet 8951-W

FEATURES

TOILET DESIGNED TO WORK WITH GEBERIT CONCEALED TANK AND CARRIER SYSTEM

Tank and Carrier Sold Separately from Fixture. Geberit System is Installed into Wall Utilizing Standard Residential Water Line.

Heavy 16-Gage Stainless Steel Construction

Provided with Satin Finish Standard; Optional Mira High Polish Finish also available. Stainless Steel is a Recyclable Material.

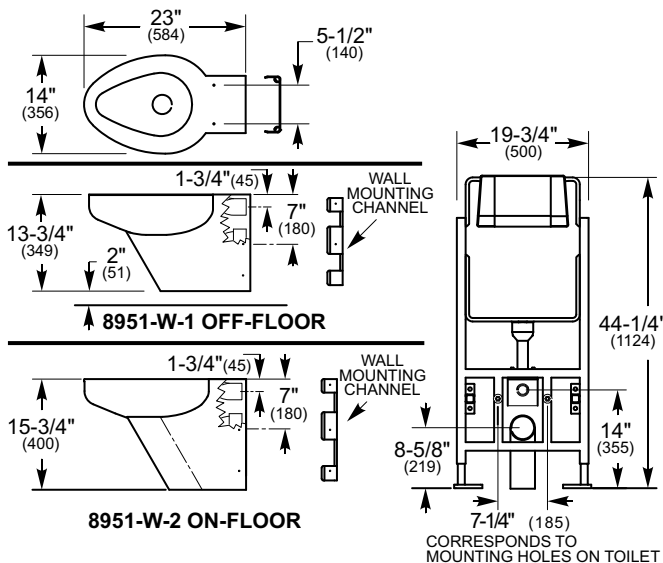
Elongated Toilet Bowl; Punched & Threaded for Top Mounted Toilet Seat 1/4"-20 x 1" Screws Provided, Seat Sold Separately.

Available in both Off-Floor (-1) or On-Floor (-2) Configurations Codes/Standards Applicable - ANSI A112.19.2


 ADA Compliant fixture is available.

Model 8951 with CTC
Satin Finish Stainless Steel
Euro Urban Contour Toilet
with Geberit Flushing System/Carrier
(Satin Finish Dual Flush Push Panel)

Grab bars
not included




Ordering Options

- 8951-W-1** Wall Supply, Off-Floor (Wall Waste), Satin Finish Stainless Steel Toilet*
- 8951-W-1-HP** Wall Supply, Off-Floor (Wall Waste), Mira High Polish Stainless Steel Toilet*
- 8951-W-2** Wall Supply, On-Floor (Wall Waste), Satin Finish Stainless Steel Toilet
- 8951-W-2-HP** Wall Supply, On-Floor (Wall Waste), Mira High Polish Stainless Steel Toilet
- ADA**  On-Floor Mounting; Flood Rim Height 17" At Finished Floor.
*Off-Floor model is ADA compliant if fixture is positioned in a manner that provides a toilet seat height of 17" to 19" At Finished Floor.

See the following specification sheet for Geberit Concealed Tank and Carrier System with Accessories.

PRODUCT Specification . . . The EURO-URBAN toilet is designed to work with the Geberit® concealed tank and carrier system (tank & carrier sold separately) with a Neo-Metro® Dual Flush Panel using 1.0 or 1.6 gallons (3.8 or 6 liters) per flush. Toilet shall be fabricated of 16-gage, Type 304 stainless steel with Satin Finish or optionally available in Mira (High Polish) Finish. Toilet is available in Off-floor (wall hung) Wall Outlet or On-floor Wall Outlet configurations. Toilet bowl is an elongated type and is punched and tapped for a top mounting toilet elongated seat. Seat sold separately. Trapway shall pass a 2-1/8" (54 mm) ball. Toilets meet ASME/ANSI guidelines as outlined in A112.19.2M-1998.

 Off-Floor models are ADA compliant if fixture is positioned so that the seat height is 17"-19" (432 mm - 483 mm) off the floor. Geberit® carrier is adjustable to accommodate ADA toilet seat height requirements. ADA compliance is subject to interpretation and requirements of local code authority. Please check your local ADA regulations.

PLUMBING Specification . . . The toilet must use a Geberit® concealed (in-wall) tank and carrier system. Geberit® carrier requires 19-3/4" (502mm) clearance between 2" x 6" (51 mm x 152 mm) wall studs. Tank releases an average 1 or 1.6 gallons (3.8 or 6 liters) per flush using Neo-Metro® flush panel. Both water inlet and waste outlet are through the wall.

Approved for Manufacturing

All dimensions are nominal and subject to manufacturer's change without notice.

Company	Project Name	Authorized Signature	Name Written Clearly	Date
---------	--------------	----------------------	----------------------	------

Neo-Metro assumes no responsibility for use of void or suspended data. All dimensions are nominal and subject to manufacturer change without notice. © 2005 NEO-METRO®, A Division of Acorn Engineering Company. Please visit www.neo-metro.com for most current specifications.

TOLL FREE 800-591-9050 • WEB SITE www.neo-metro.com

NEO-METRO® • P.O. Box 3527 • City of Industry, CA 91744 U.S.A. • Local Phone 626-855-4854 • Fax 626-937-4725

TS 8951W
PAGE 1 OF 1

10/29/08