



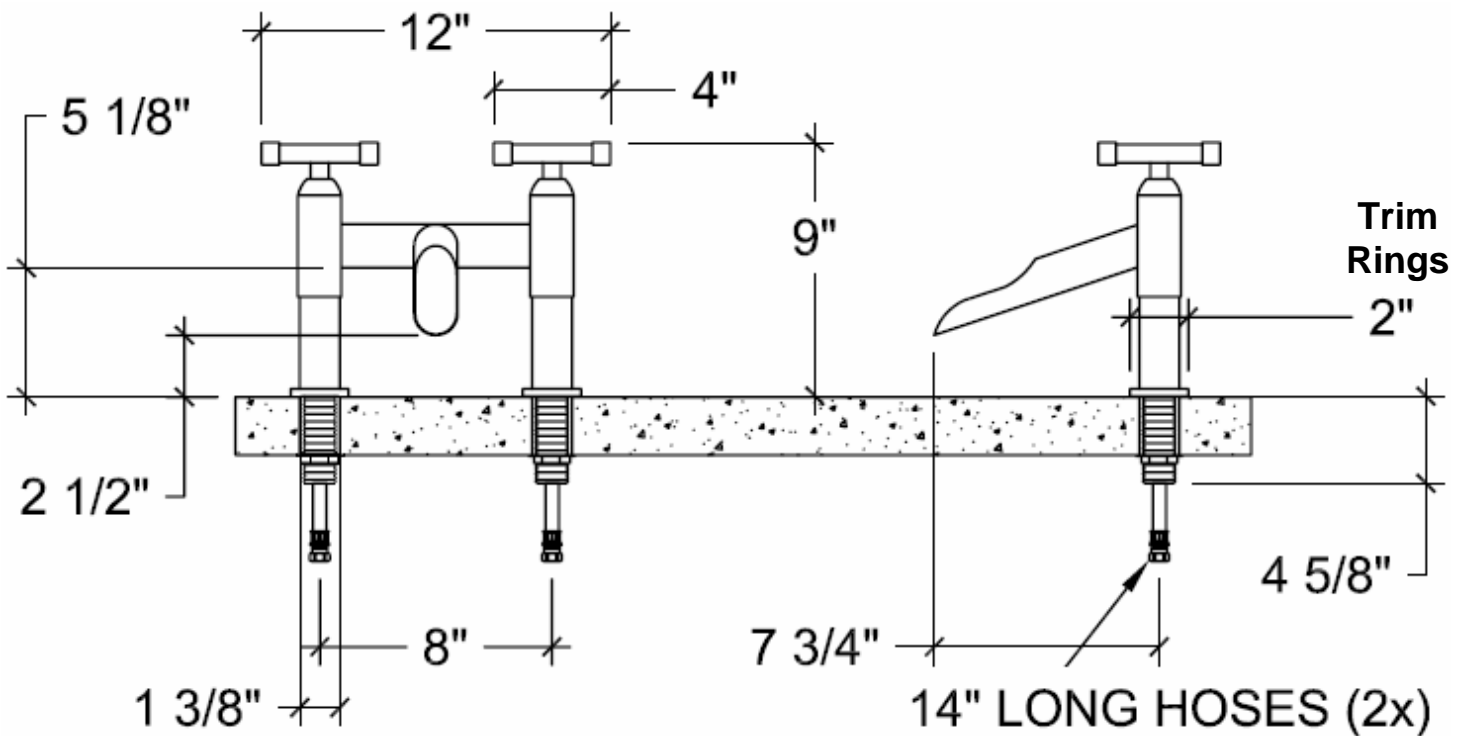
UPDATED
VERSION
APR 2009

PRODUCT SPECIFICATIONS WATERBRIDGE LAV – ALL MODELS

WATERBRIDGE LAV - DECK MOUNT – SHORT (WB LAV DM S)

OVERALL HEIGHT = 9"

SPOUT HEIGHT = 2-1/2"





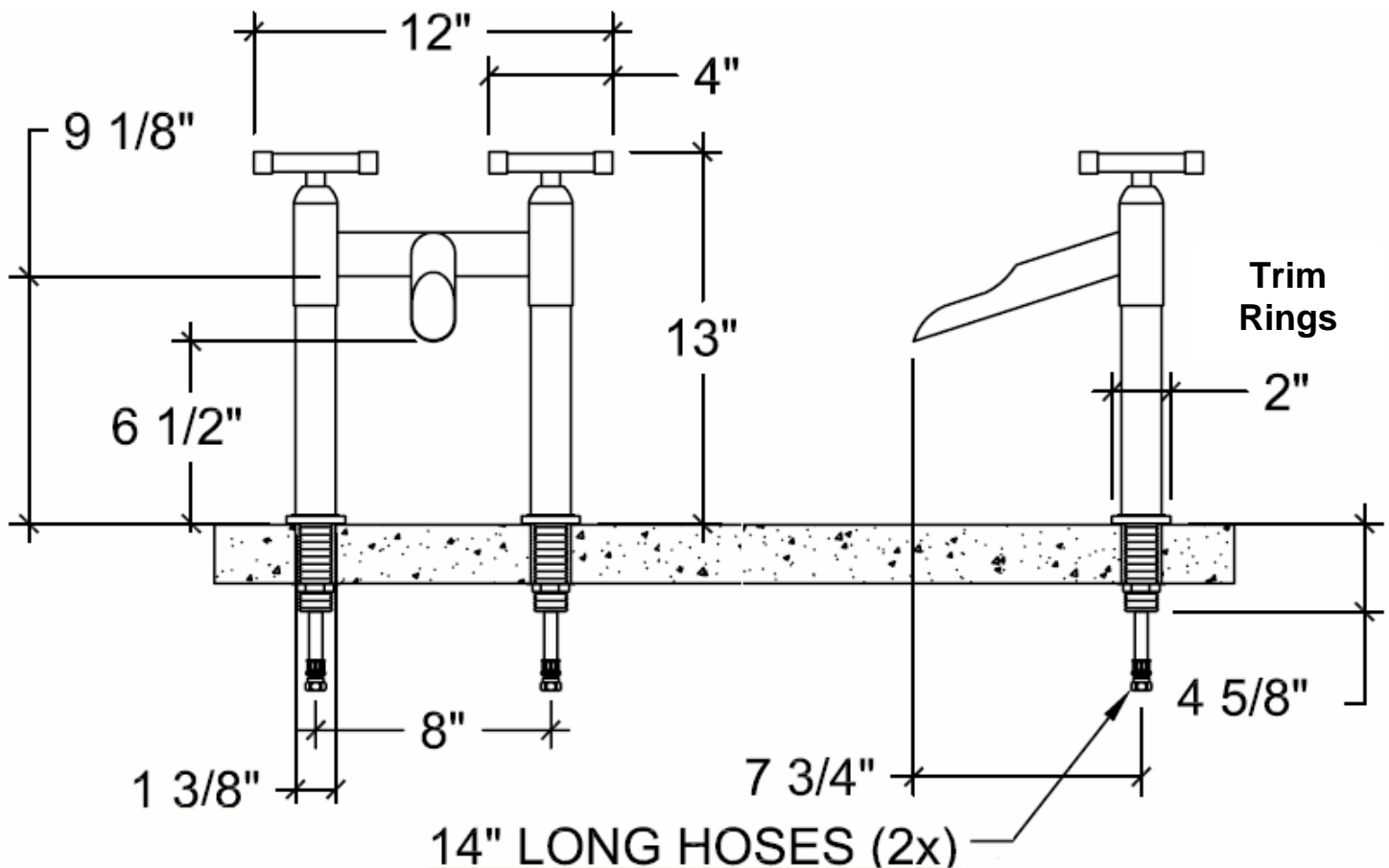
UPDATED
VERSION
APR 2009

PRODUCT SPECIFICATIONS

WATERBRIDGE LAV - DECK MOUNT - TALL (WB LAV DM T)

OVERALL HEIGHT = 13"

SPOUT HEIGHT = 6-1/2"





UPDATED
VERSION
APR 2009

PRODUCT SPECIFICATIONS

WATERBRIDGE DECK MOUNT – LEG EXTENSIONS (WB LAV DM LEG EXT)

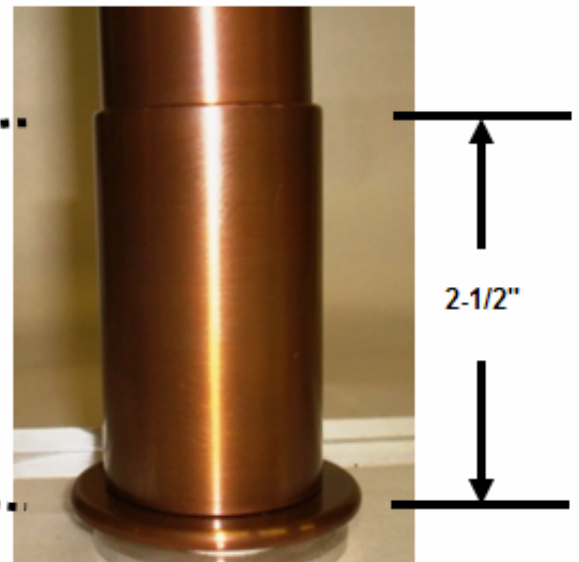
CAN BE APPLIED TO BOTH "SHORT" & "TALL" LAV MODELS
TO ACHIEVE DIFFERENT HEIGHTS
(DEPENDING ON THE VESSEL SINK USED)



SIMILAR TO ROMAN TUB FILLER SLEEVE
CAN ADJUST HEIGHT UP TO 2-1/4" INCHES

CRITICAL DIMENSION FOR USE WITH
VESSEL SINKS IS DISTANCE FROM
DECK TO BOTTOM OF SPOUT TO
ACHIEVE CLEARANCE FROM THE
"FLOOD PLAIN" OF THE VESSEL

REFER TO LOCAL CODES FOR
APPROPRIATE CLEARANCE DIMENSION





UPDATED
VERSION
APR 2009

PRODUCT SPECIFICATIONS WATERBRIDGE LAV DECK MOUNT

FACTS

Waterfall style faucet (water continues forward from spout)
Copper pipe construction with solid brass parts
1/2" Quarter-turn Ceramic Cartridges
1" O.D. All-thread connection for mounting
(holes should be drilled at 1-1/4" – 2" trim ring covers gap)
1/8" Supply Lines - 3/8" Compression Fitting
IAPMO Approved

Available in Four Standard Finishes (WaterBridge Collection)

Rustic Copper (RC)	Oil Rubbed Bronze (ORB)
Rustic Nickel (RN)	Pizzazz Nickel (PN)

(Custom finishes available by special order)