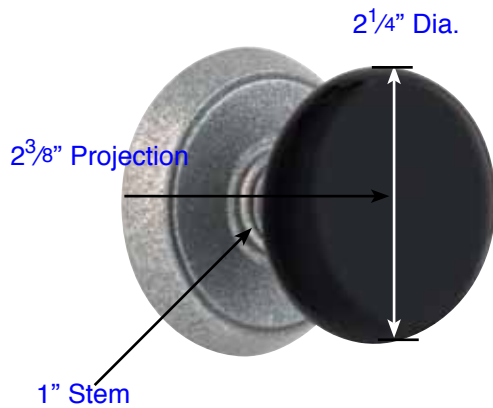


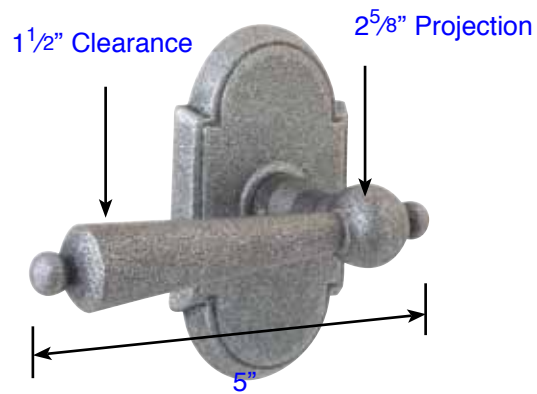
# HARRISBURG LEVERSETS AND MADISON KNOBSETS

Wrought Steel Levers and Porcelain Knobs with Wrought Steel Rosettes

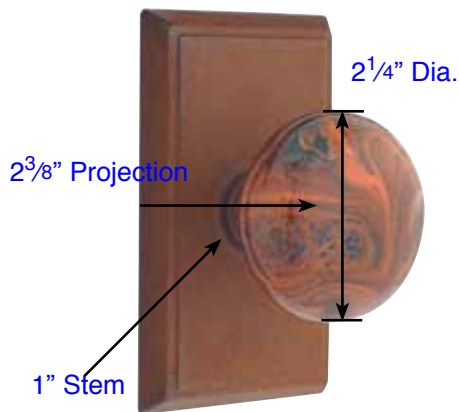
Complete set includes Latch and Strike Plate



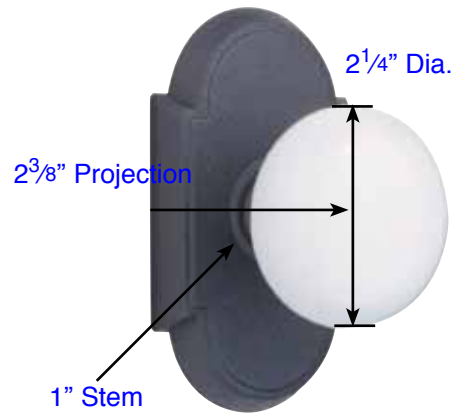
Black Madison (MB)



Harrisburg (HL)



Brown Swirl Madison (MS)



Ivory Madison (IM)

## Door Thickness Specifications

Wrought Steel Passage & Privacy Sets (Knobs & Levers)

- Standard Door Thickness: 1<sup>3</sup>/<sub>8</sub>"- 2"
- Standard Components:
  - Privacy Pin (for privacy sets)
  - Inside Passage Half Spindle
  - 1<sup>1</sup>/<sub>2</sub>" Rosette Screws
  - Full-Lip Strike Plate

- **Extended** Door Thickness: 2"- 2<sup>1</sup>/<sub>4</sub>"
- Extended Components:
  - Privacy Pin w/ Extension (for privacy sets)
  - Long Inside Passage Half Spindle
  - 2" Rosette Screws
  - Extended Full-Lip Strike Plate

- **Extended** Door Thickness: 2<sup>1</sup>/<sub>4</sub>"- 3"
- Extended Components:
  - Privacy Pin w/ Extension (for privacy sets)
  - Extra Long Inside Passage Half Spindle
  - 2<sup>1</sup>/<sub>2</sub>" Rosette Screws
  - Extended Full-Lip Strike Plate