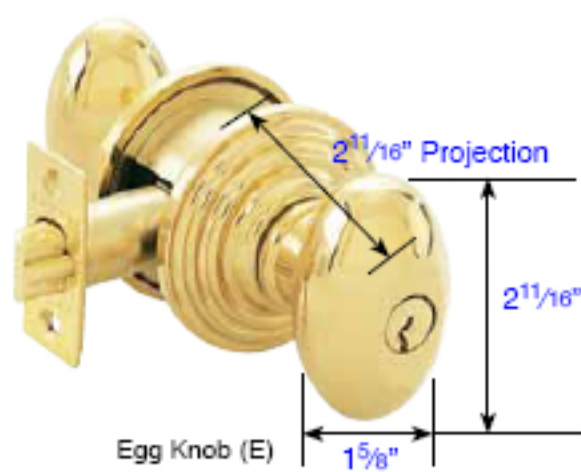




Providence Knob (P)



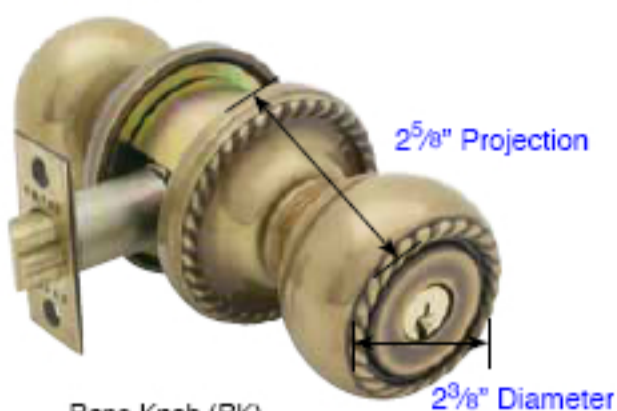
Egg Knob (E)

• Space between rosette and knob is approx. 1"



Waverly Knob (W)

• Space between rosette and knob is approx. 1"



Rope Knob (RK)

• Space between rosette and knob is approx. 1"

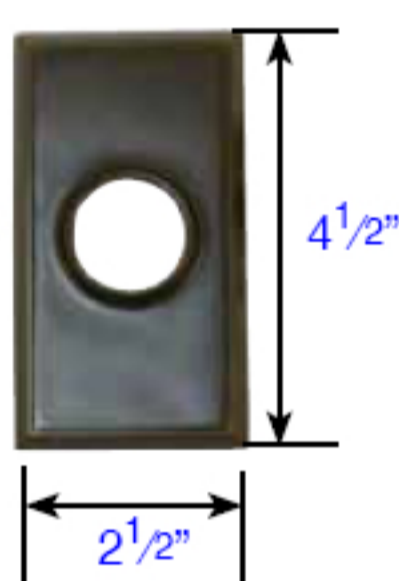
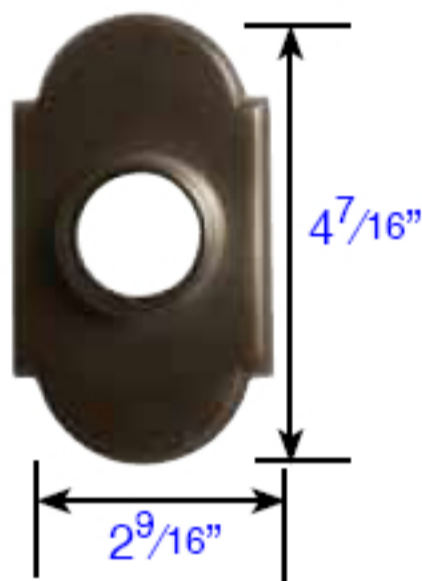
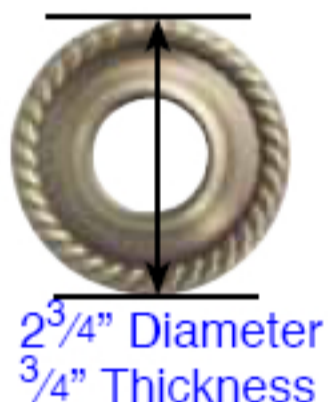
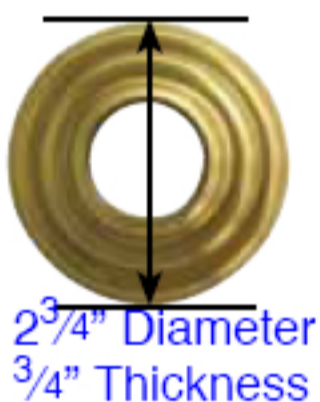
Rosette Options

Regular Rosette

Rope Rosette

#8 Rosette
3/4" Thickness

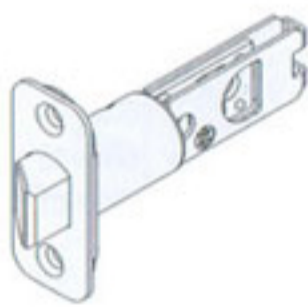
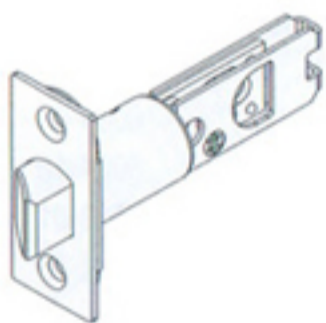
Rectangular Rosette
3/4" Thickness



Latch Type

Square Corners

1/4" Radius Corners



Backset

