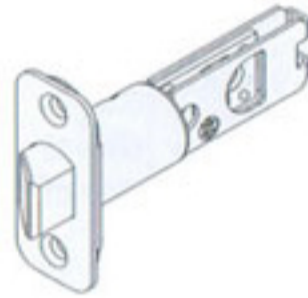
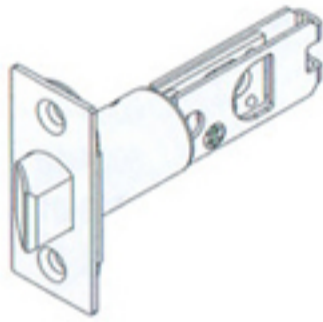


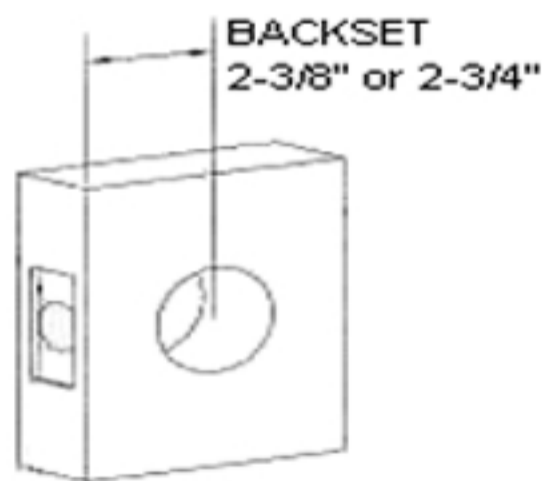
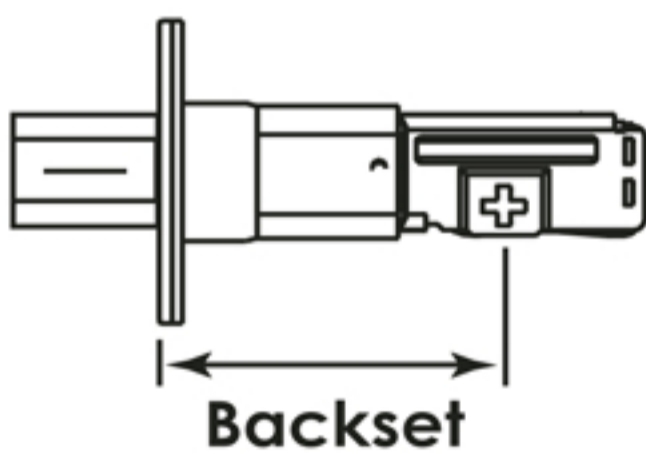
Latch Type

Square Corners

1/4" Radius Corners



Backset



Confirm Handing

HANDING OF DOOR IS ALWAYS DETERMINED FROM THE OUTSIDE

