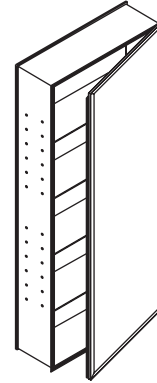


Features

- Recess or surface mount
- Mirrored doors and interior, matte silver interior
- 3-way adjustable concealed hinge system
- SAFESEAL™ gasket frame
- Patented swing-out magnifying mirror
- Rust-free aluminum construction
- Can be installed as a left- or right-hand door swing
- Four adjustable glass shelves
- 19-1/4" (48.9 cm) x 39-3/8" (100 cm) x 6-5/8" (16.8 cm)

MP20D6FBN ALSO MP20D6FPN



Codes/Standards Applicable

Specified model meets or exceeds the following:

- None applicable

Specified Model

Model	Description	
MP20D6FBN	Beveled edge	<input type="checkbox"/>
MP20D6FPN	Plain edge	<input type="checkbox"/>
NOTE: Hardware required for installing cabinets side-by-side is included.		

Required Accessories - For Surface-Mount and Semi-Recessed Installations Only

MPSK40D6	Beveled mirror side kit	<input type="checkbox"/>
MPSK40D6P	Plain mirror side kit	<input type="checkbox"/>
MPSK40D6SR	Semi-recessed 4" (10.2 cm) depth into wall, plain mirror side kit	<input type="checkbox"/>
Refer to the Price Guide for additional side kit colors and finishes		

Required Accessories - For Multiple Cabinets Installed or Stacked Vertically Only

MSF__S	Stack filler for surface-mounted cabinet installations	<input type="checkbox"/>
MSF__R	Stack filler for recessed cabinet installations	<input type="checkbox"/>
MSF__D2	Stack filler for partially recessed cabinet installations	<input type="checkbox"/>
Follow MSF with width of full cabinet array plus any installed lights when ordering. For example, MSF 49.5 S is stack filler for two surface-mounted 24" (61 cm) cabinets and one kit of 1-1/2" (3.8 cm) lights [23-1/4" (59.1 cm) + 23-1/4" (59.1 cm) + 1-1/2" (3.8 cm) + 1-1/2" (3.8 cm)].		

Optional Accessories

SLB20D6	Safety-lock box	<input type="checkbox"/>
Frames, light options, and additional accessories are also available. Refer to the Price Guide for more information.		

M SERIES FLAT DOOR CABINET

Technical Information

Roughing-in opening	18-1/2" (47 cm) x 38-5/8" (98.1 cm) x 6" (15.2 cm)
Door opening angle	170°

Installation Notes

Install this product according to the installation guide.

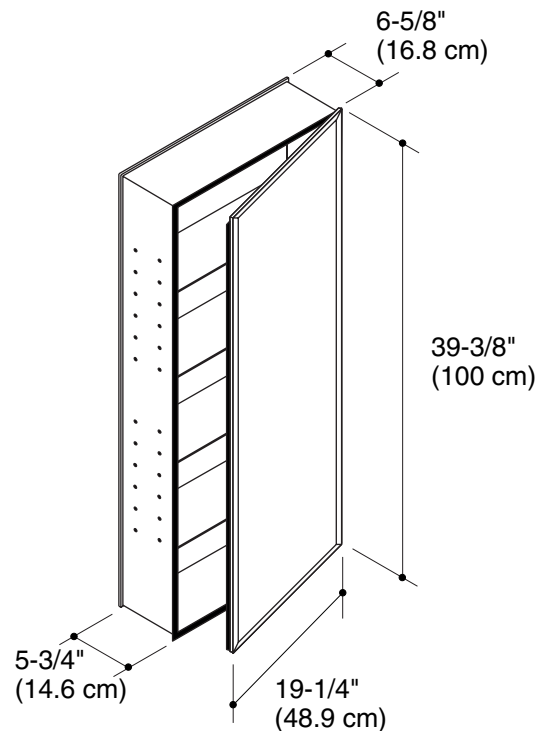
When determining the height of the mirrored cabinet, ensure the mirrored door will clear all obstacles, such as a faucet. A minimum distance of 1" (2.5 cm) is required.

Secure the screws (provided) to a stud to avoid possible property and product damage. If this is not possible, anchors (provided) must be inserted before installing the screws.

Modular components can be joined horizontally and vertically offering unlimited storage space. When ganging cabinets: rough opening width/height = total width/height of all cabinets and lights minus 3/4" (1.9 cm).

Stack filler is required for vertical stacking.

Recessed cabinets project 7/8" (2.2 cm) from wall.



Product Diagram