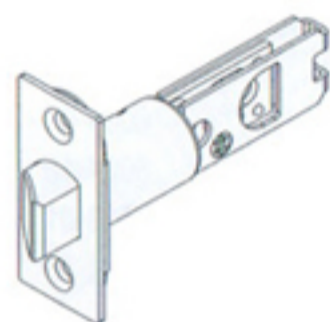
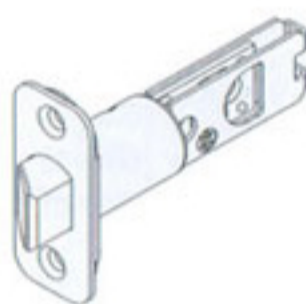


Latch Type

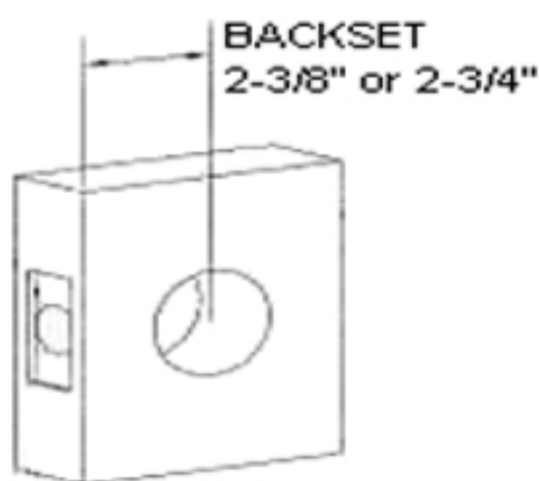
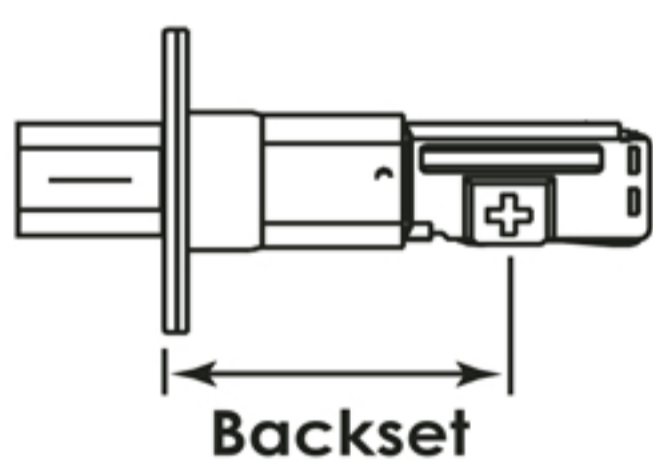
Square Corners



1/4" Radius Corners



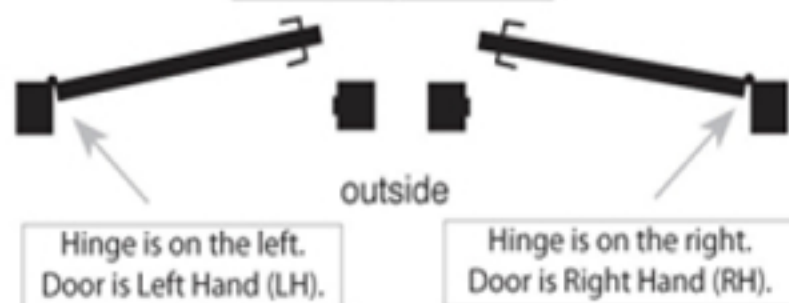
Backset



Confirm Handing

HANDING OF DOOR IS ALWAYS DETERMINED FROM THE OUTSIDE

In-Swing Doors



Out-Swing Doors

