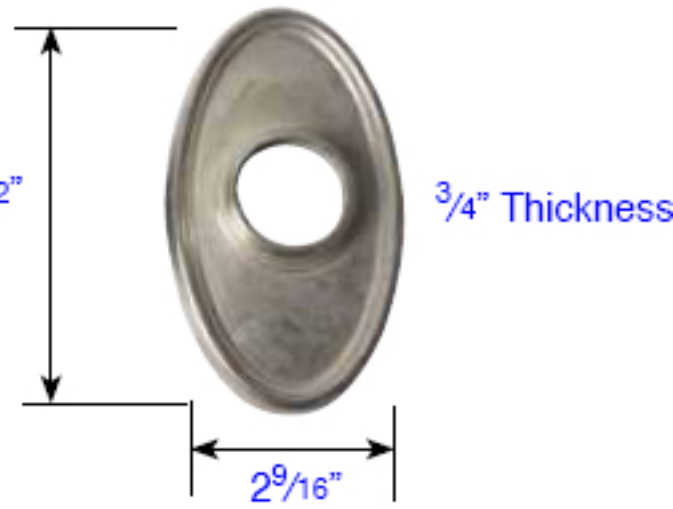
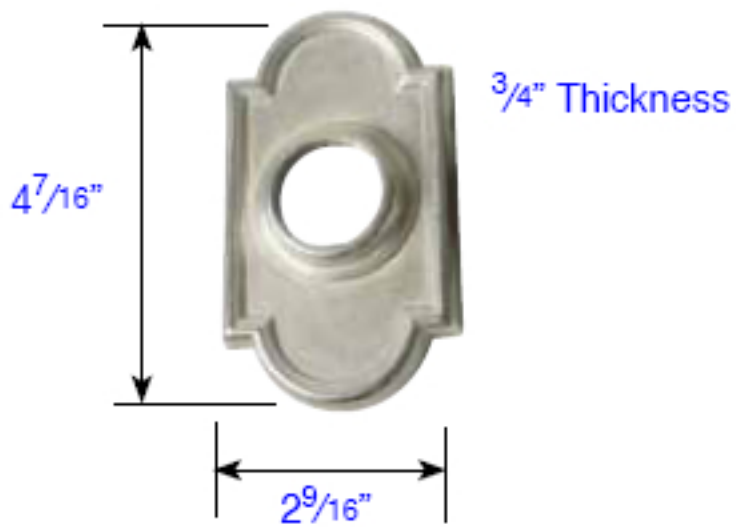


#11
Rosette

#12
Rosette

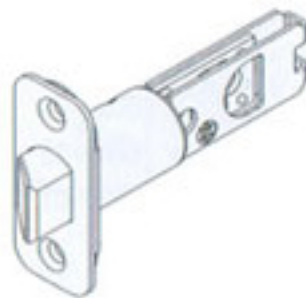
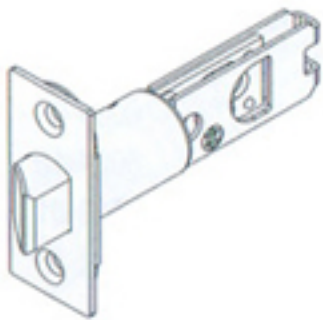
#14
Rosette



Latch Type

Square Corners

$\frac{1}{4}$ " Radius Corners



Backset

